

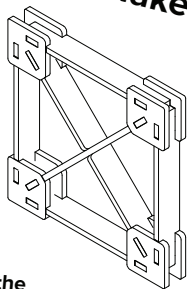
Mini-Planter Assembly Instructions

Grab a colleague (or three) and see who can make their XFrame mini-planter the quickest!



1.

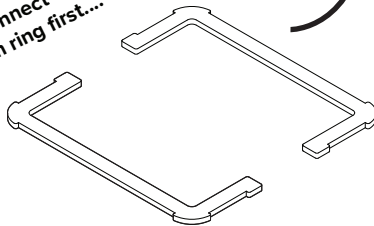
Make x 4!



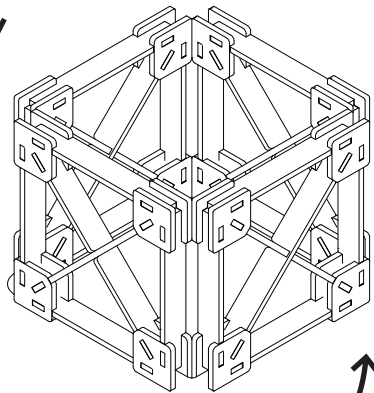
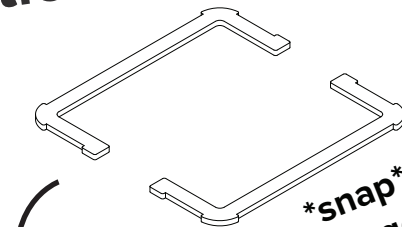
Try lay the parts flat...

2.

Connect bottom ring first...

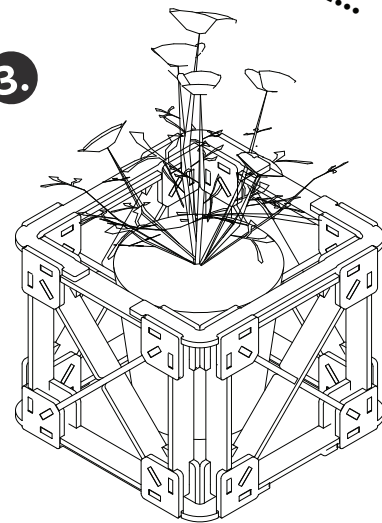


snap rings together



3.

Plant seed...



Ta-da!
(but in a week or two...)