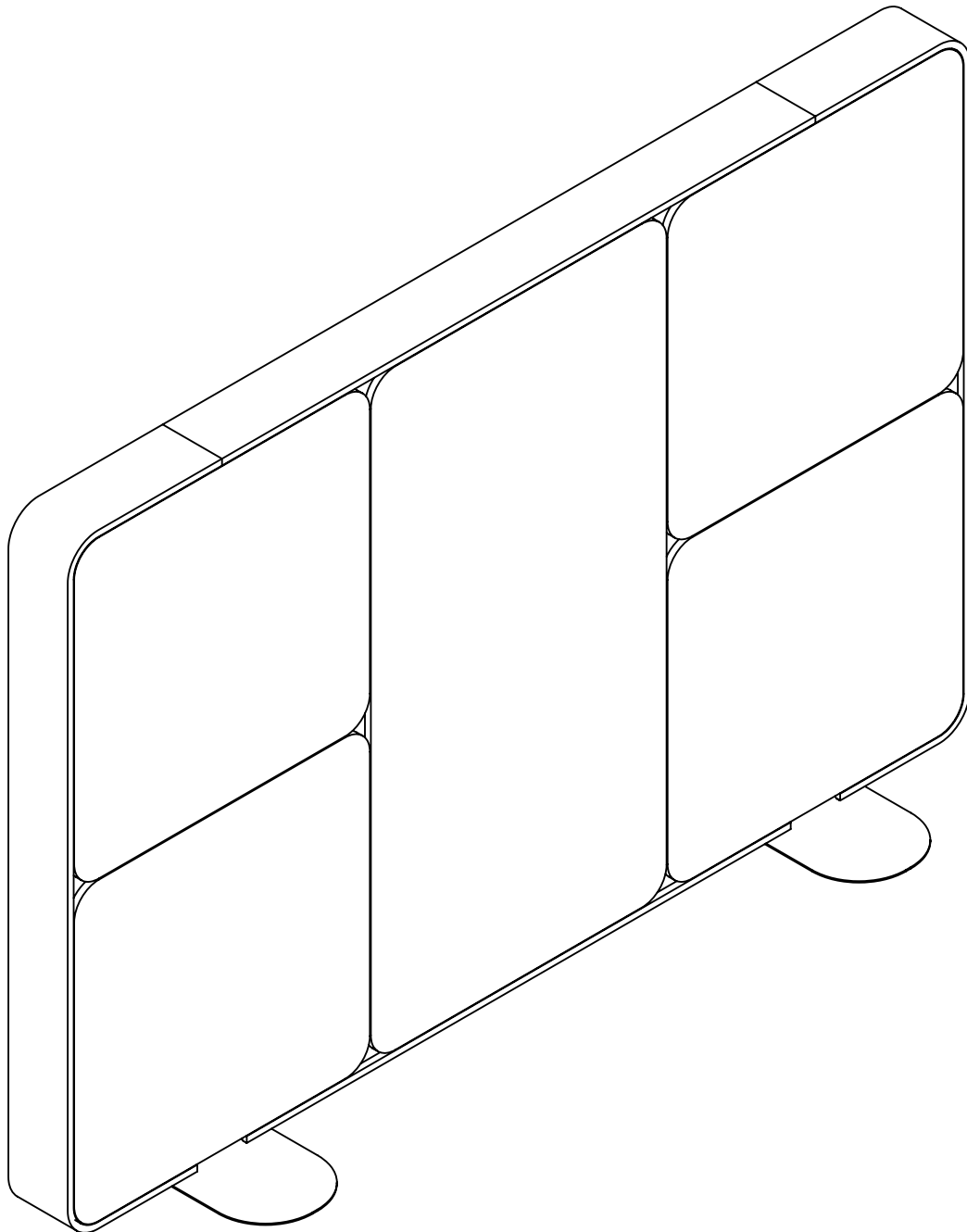


Assembly Instructions

Quiet Wall

1.2m x 1.8m

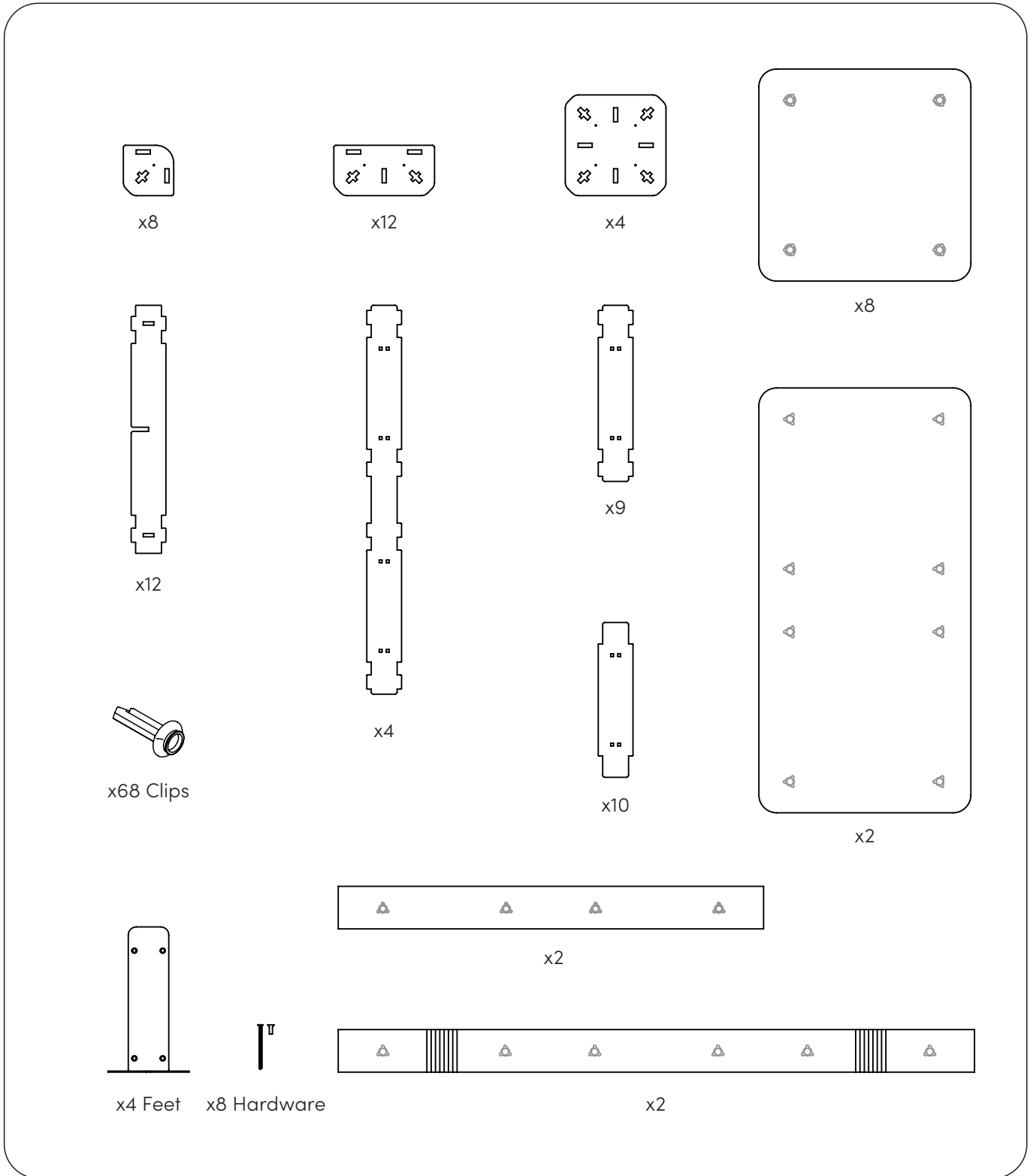


vivid origin

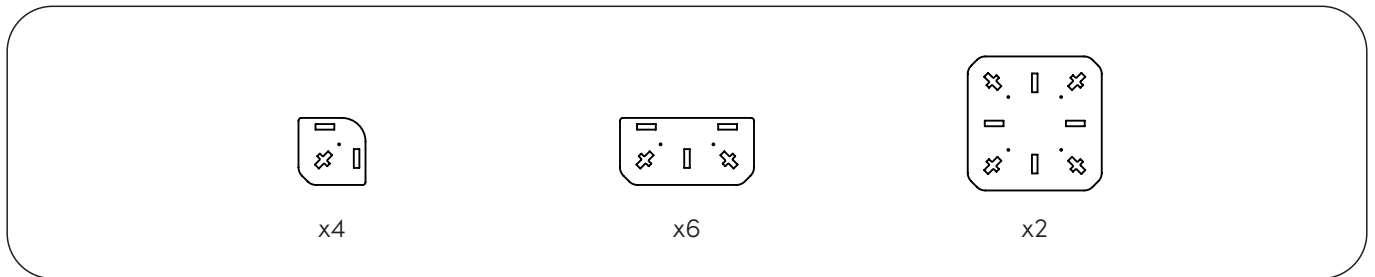


XFRAME

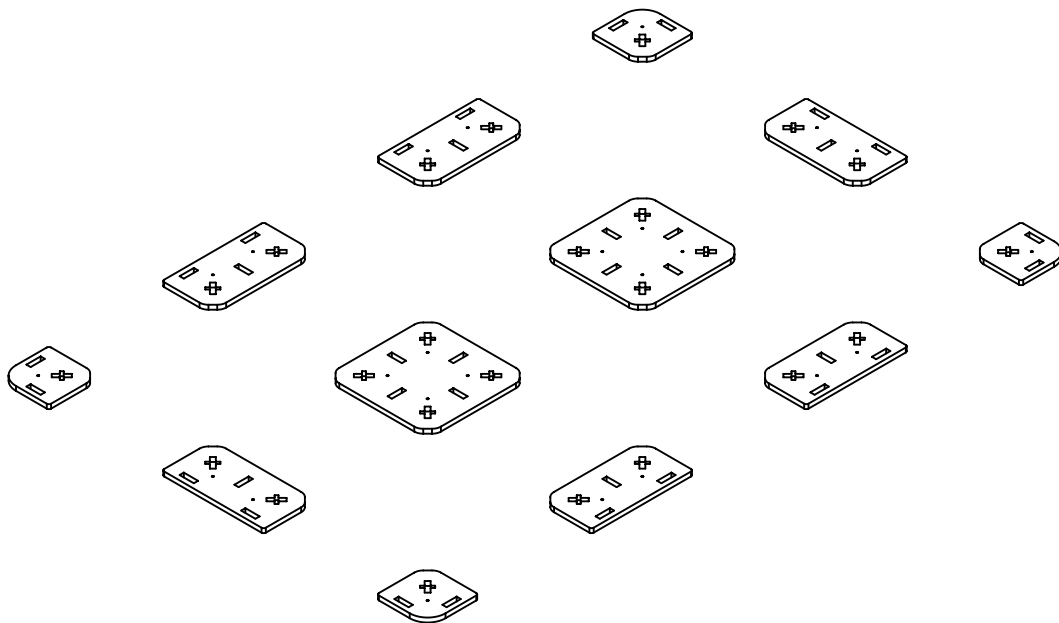
Quiet Wall 1.2m x 1.8m Parts

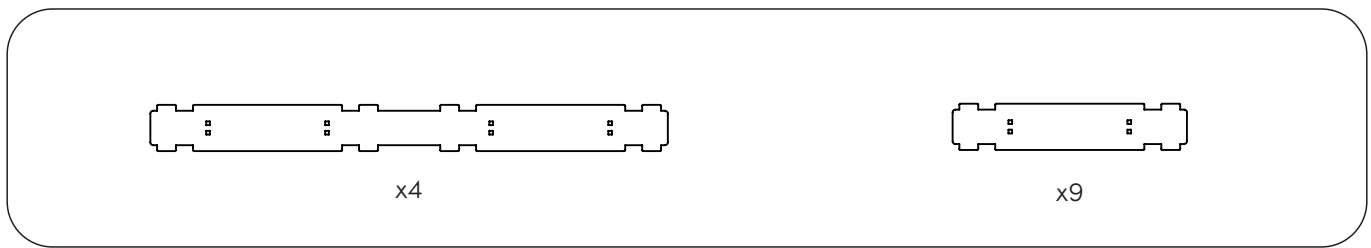


Assembly Instructions

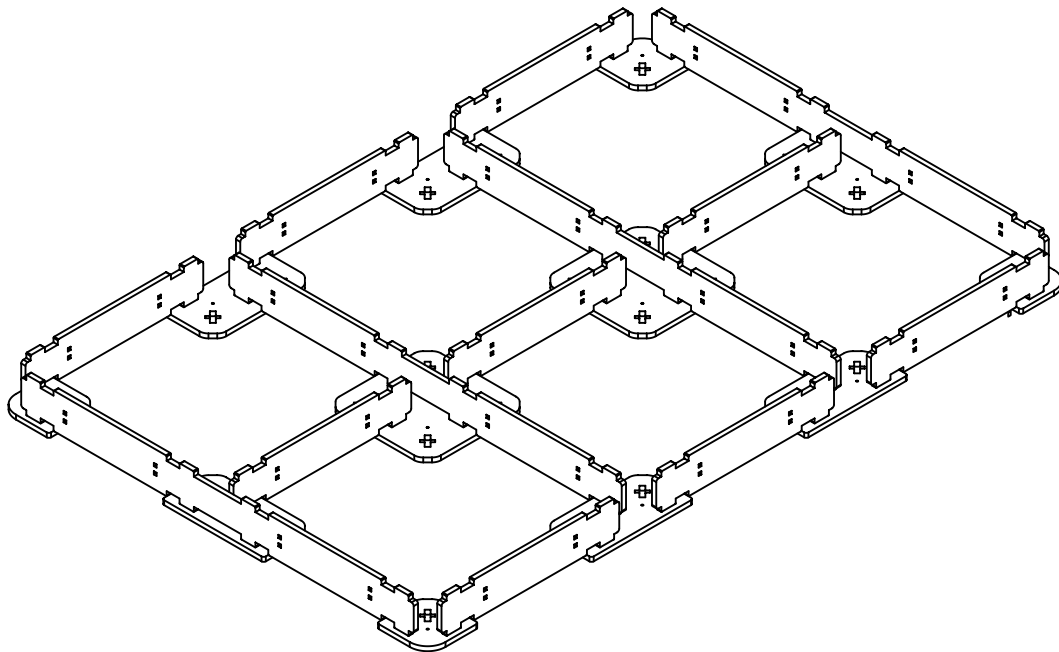


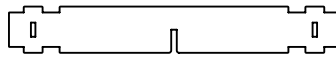
1. Start by roughly arranging the plates on a clean hard flat surface.





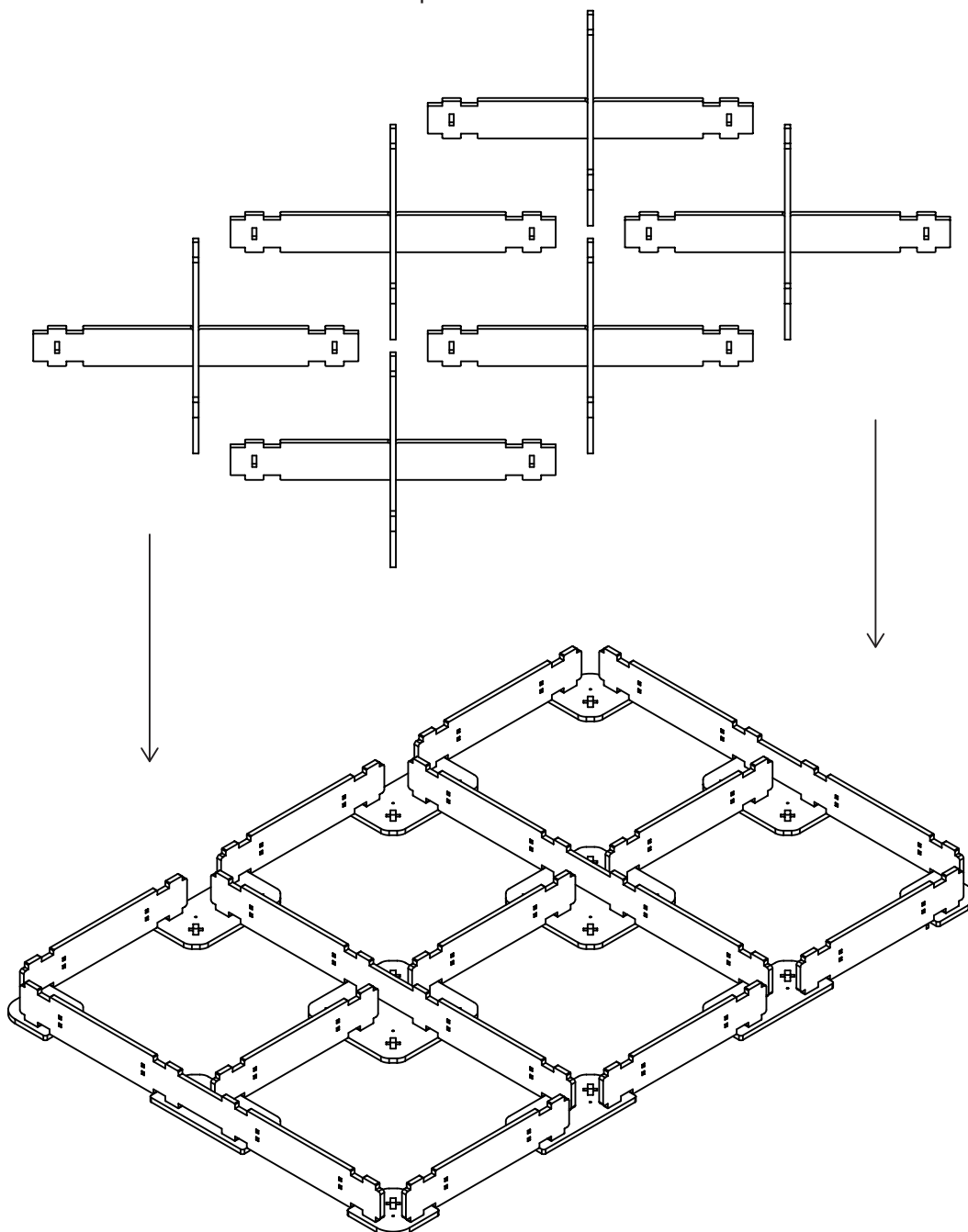
- 2.** Form the edge of the frame by placing the longer sized pieces parallel to each other, and the smaller sizes perpendicular to it.





x12

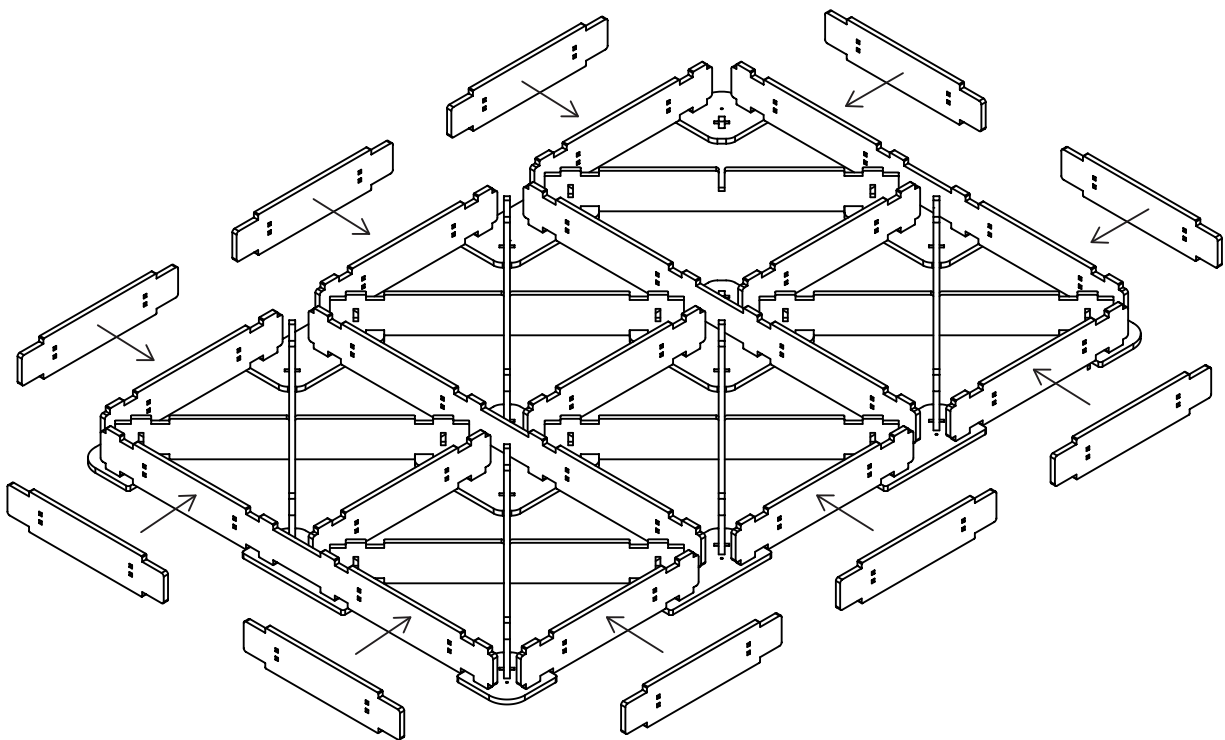
- 3.** Create an 'X' by slotting two parts together, and inserting and clicking into the notches of each square.

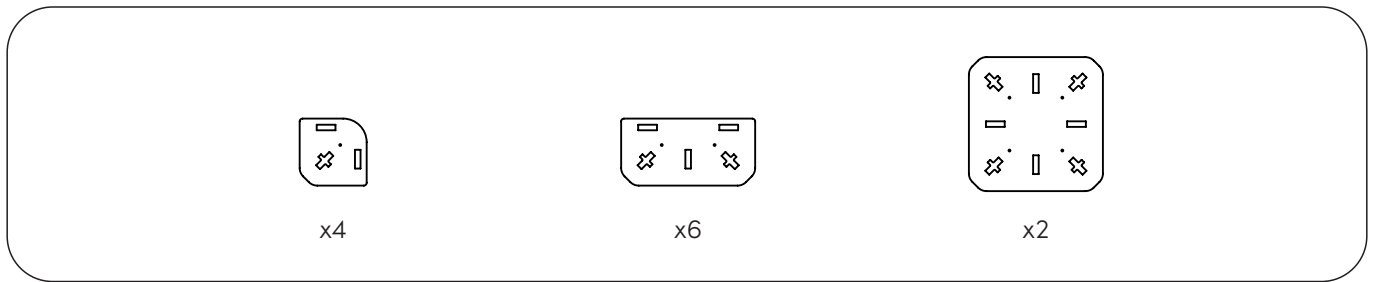




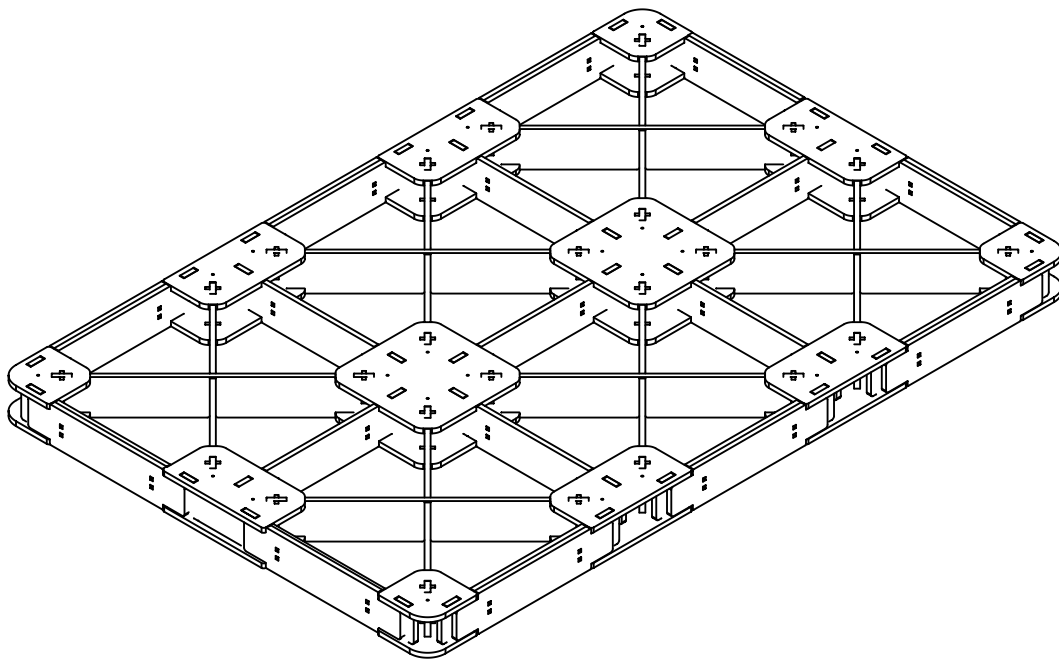
x10

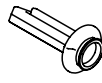
4. Once all the bracing is in place, insert the parts around the edge of the bracing.





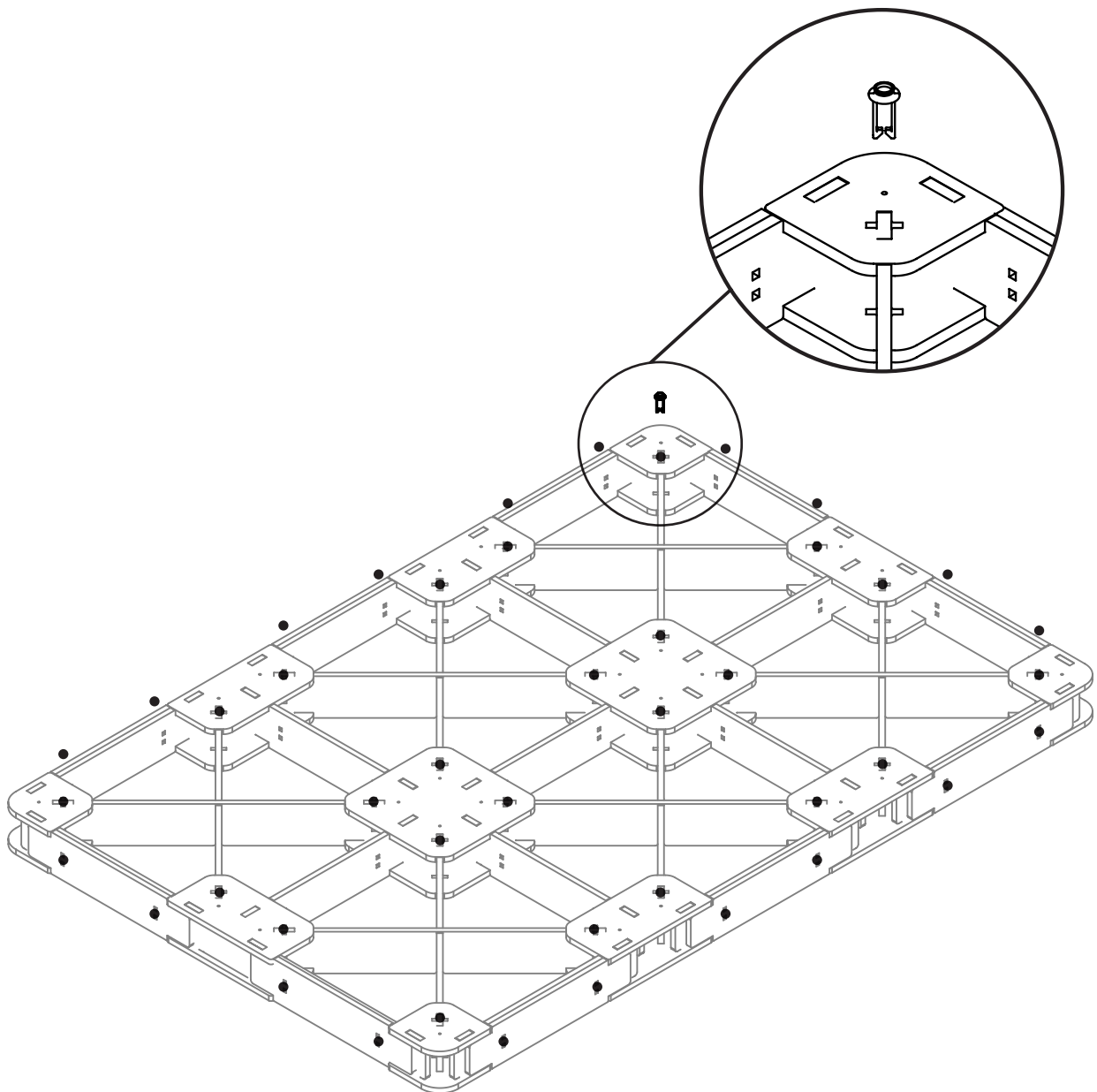
5. Repeat Step 1, applying the locking plates on top.

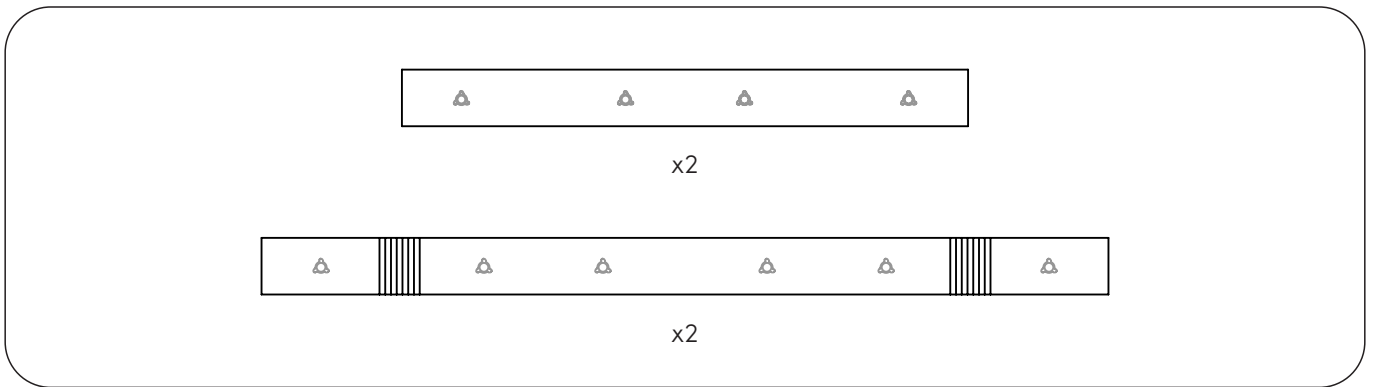




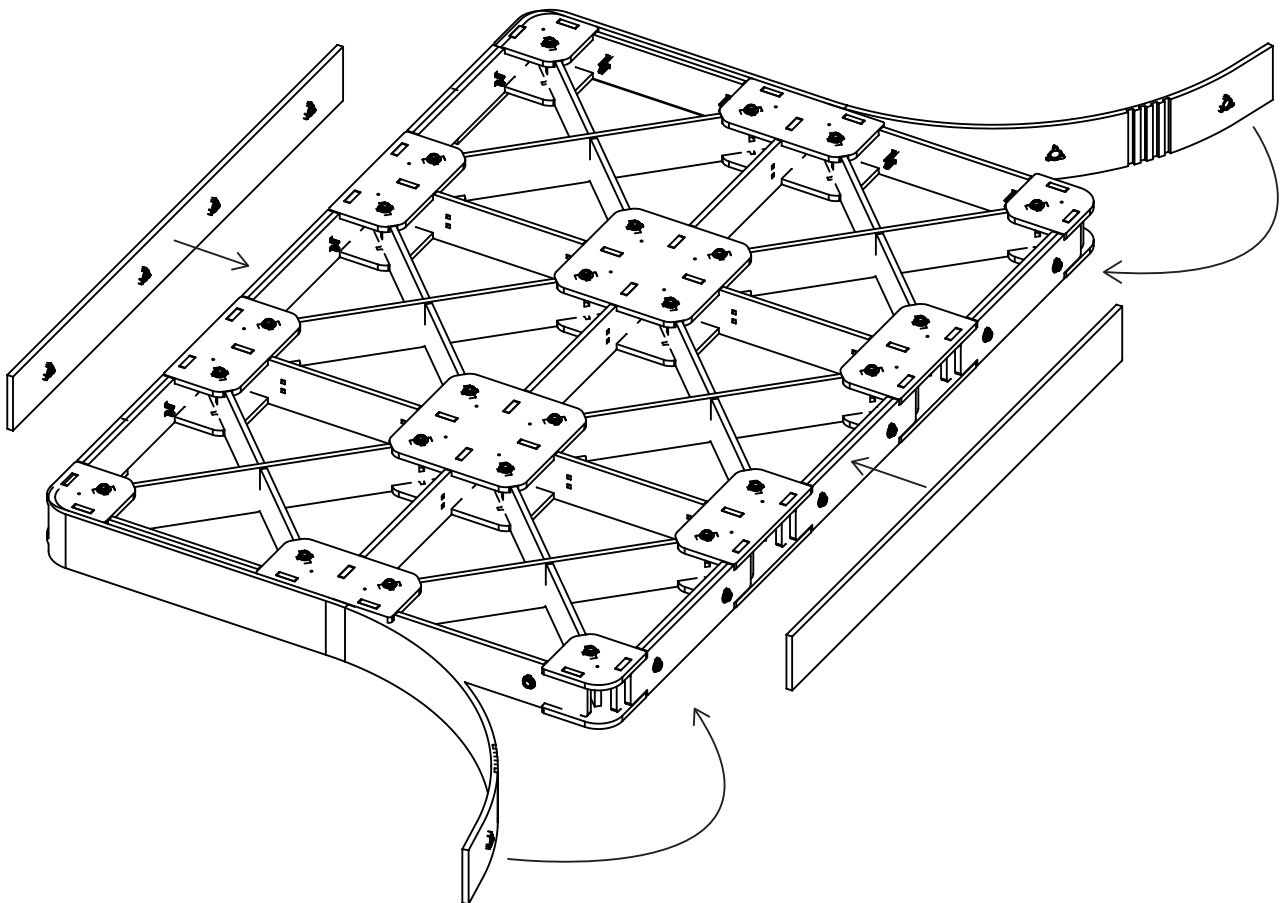
x68

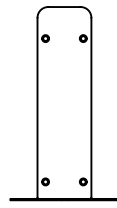
- 6.** Once the Frame is assembled, insert the lining clips into position. Ensure to clip both faces and all sides of the frame.





- 7.** Align and secure the short linings with the corresponding clips on the long side of the frame. Align the kerf linings using the attached short linings as an indicator and wrap around the sides and corners. Ensure to press firmly.



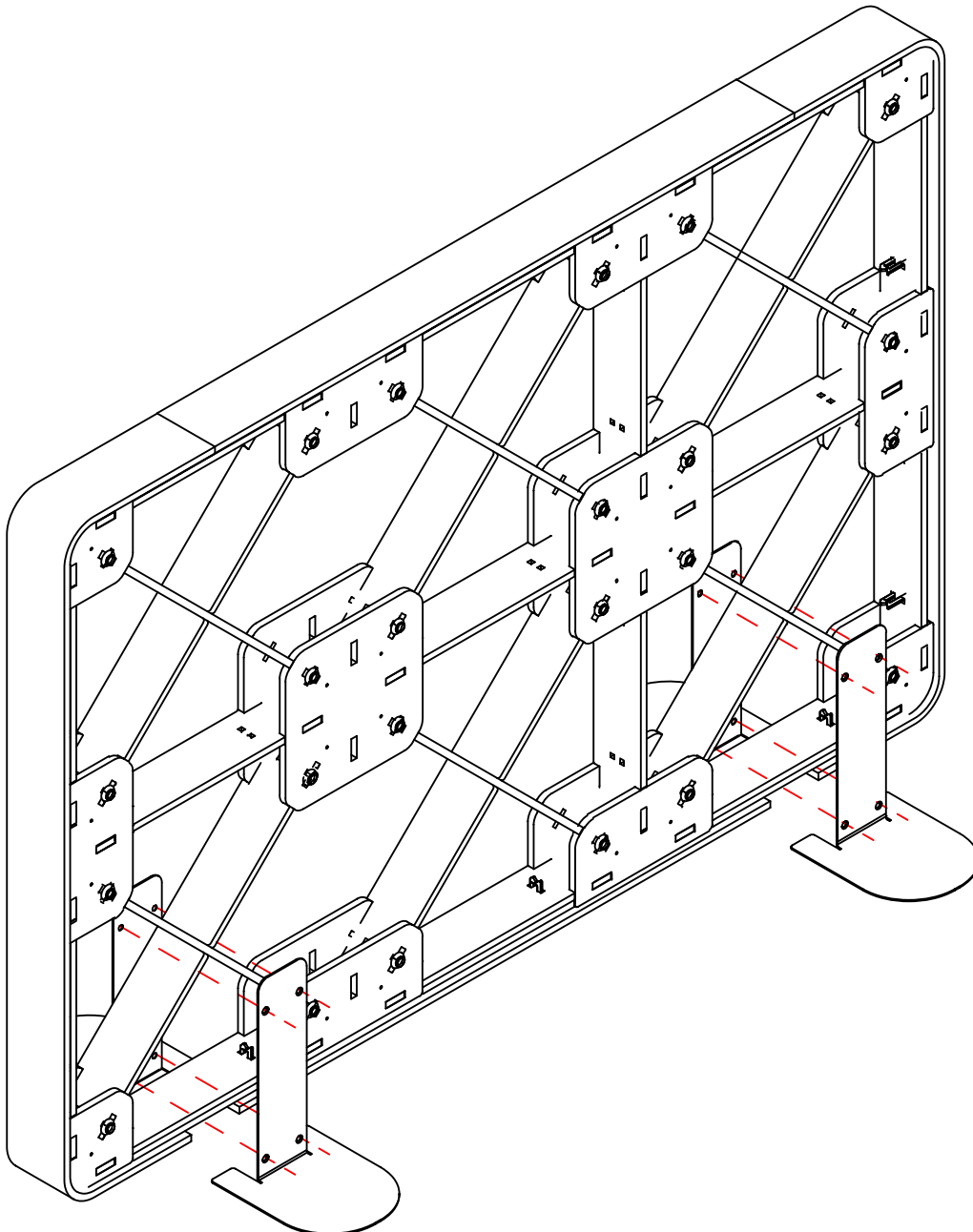


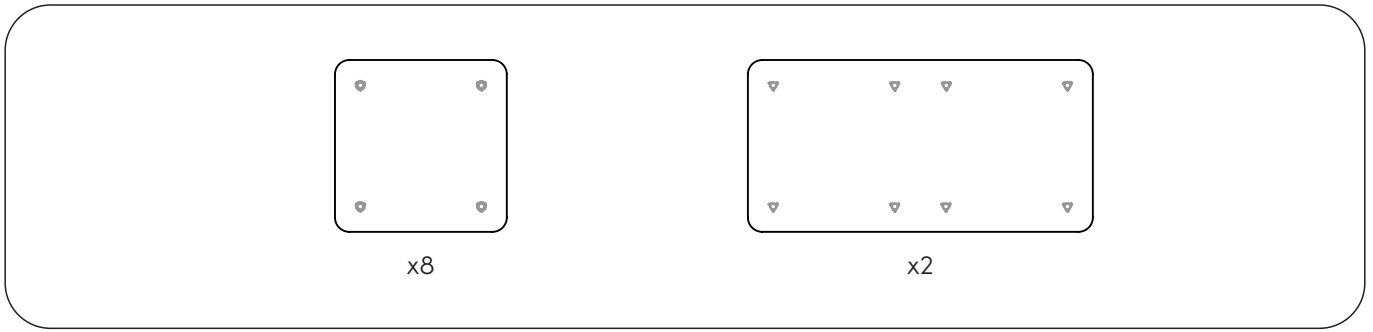
x4 Feet



x8 Hardware

- 8.** Align metal feet into notch of edge lining and secure through the frame using hardware.

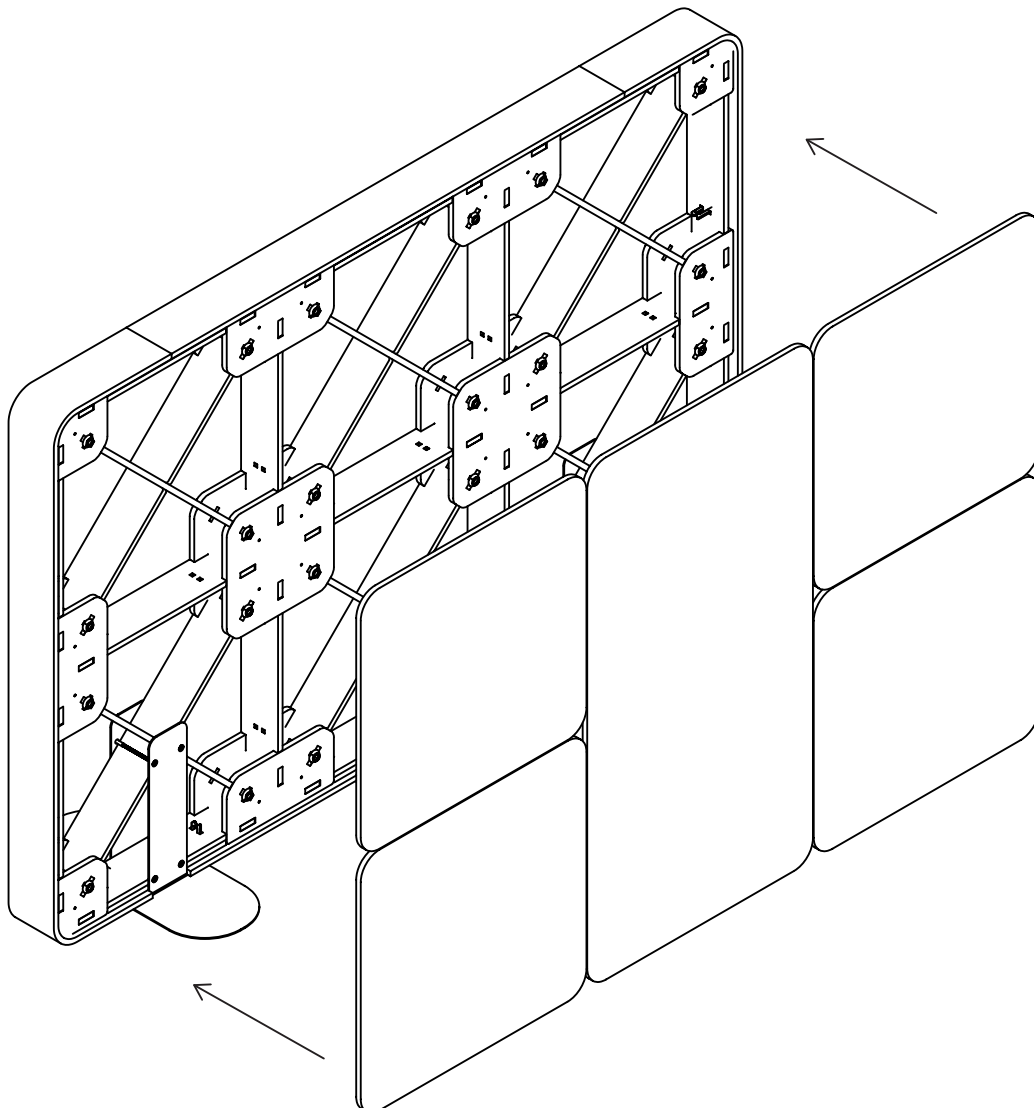




9.

Press lining panels into the corresponding lining clips on the frame. Note the orientation of the lining parts are interchangeable.

Repeat on the other side.



Finished Assembled Product

