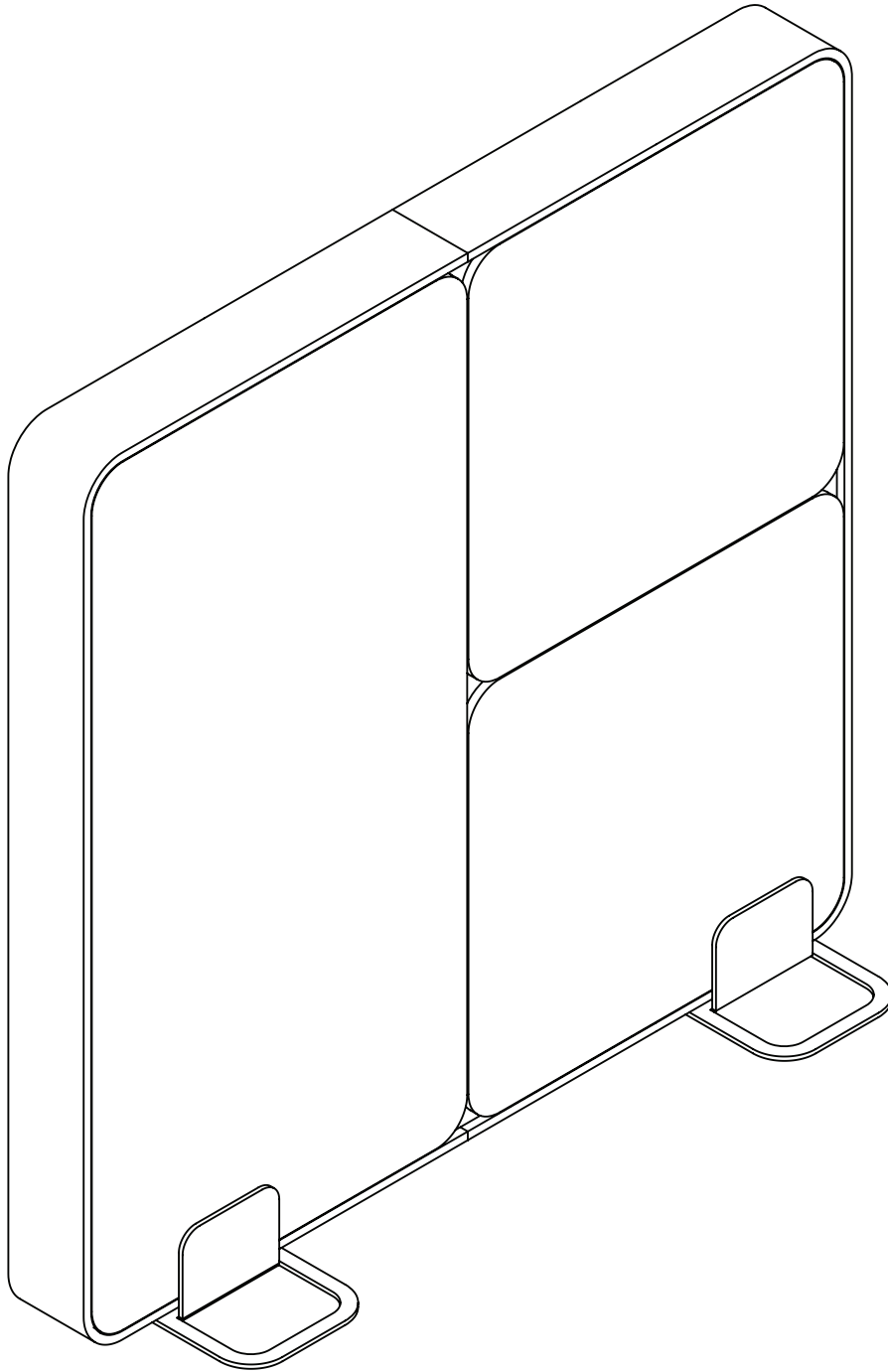


Assembly Instructions

# Quiet Wall

1.2m x 1.2m

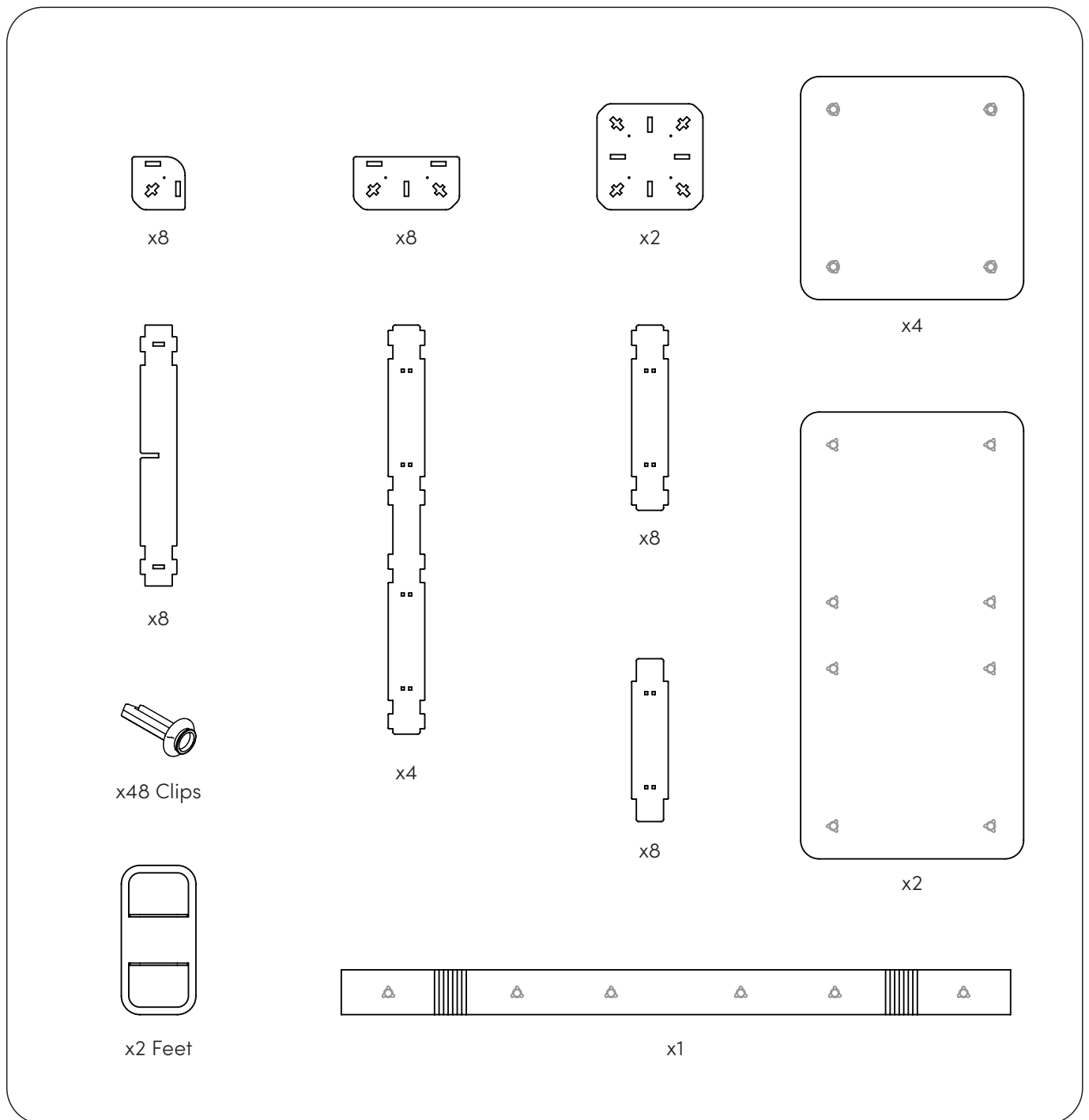


vivid origin

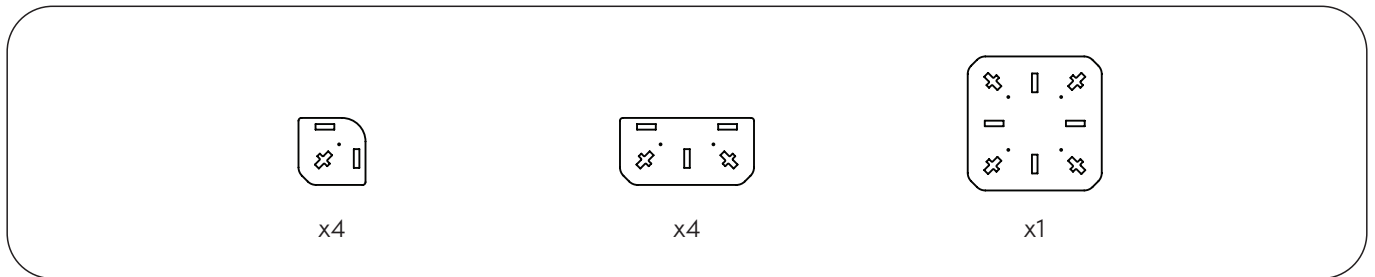


XFRAME

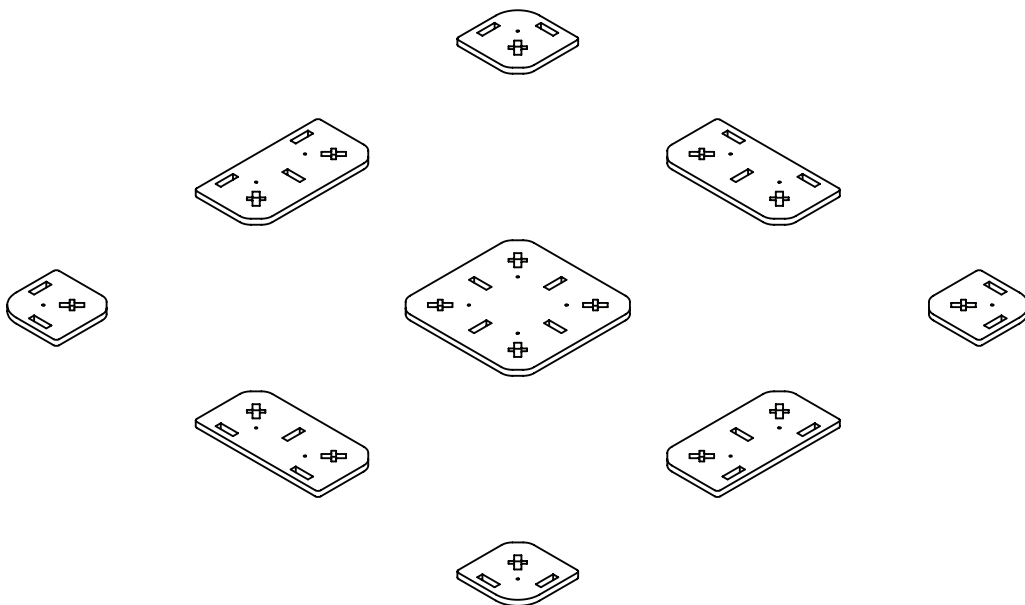
### Quiet Wall 1.2m x 1.2m Parts

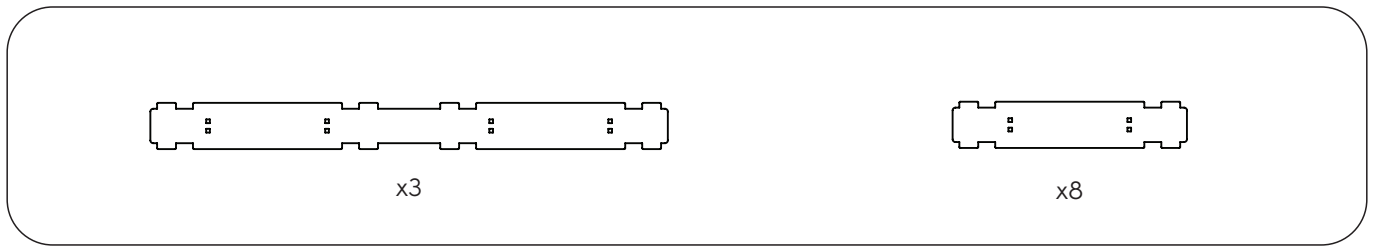


## Assembly Instructions

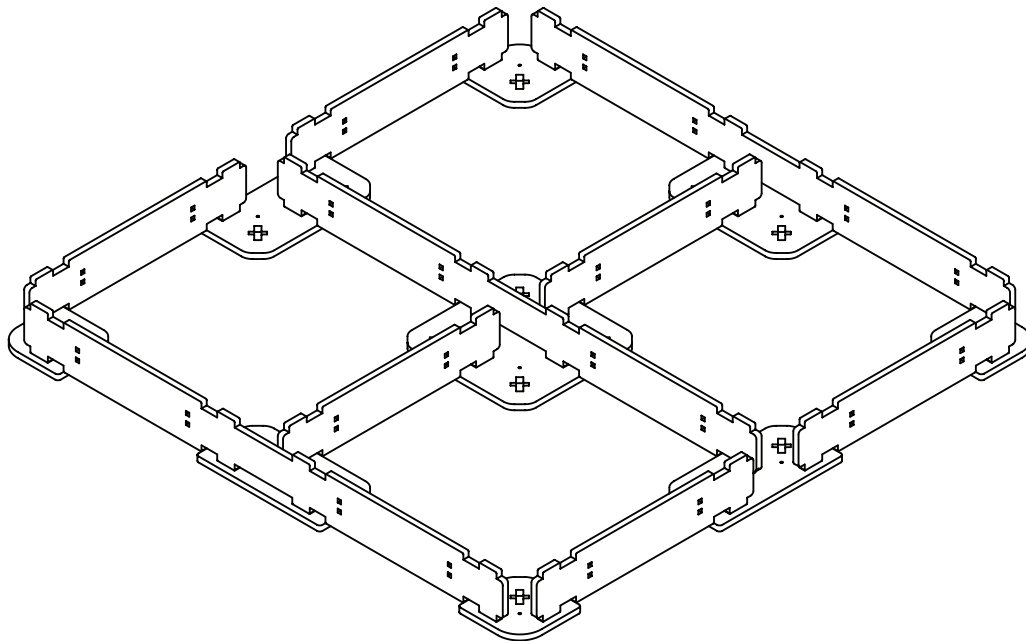


1. Start by roughly arranging the plates on a clean hard flat surface.





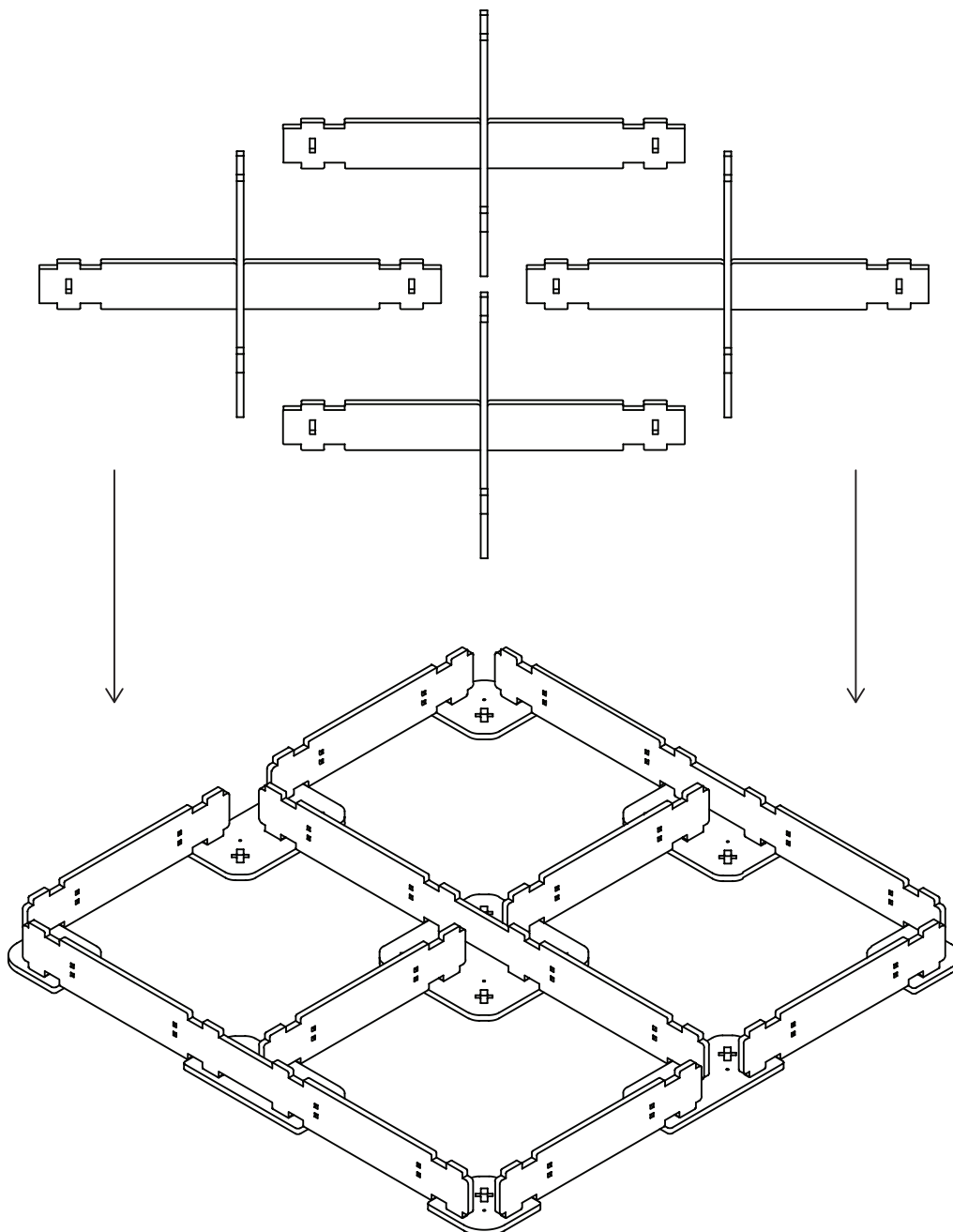
- 2.** Form the edge of the frame by placing the longer sized pieces parallel to each other, and the smaller sizes perpendicular to it.





x8

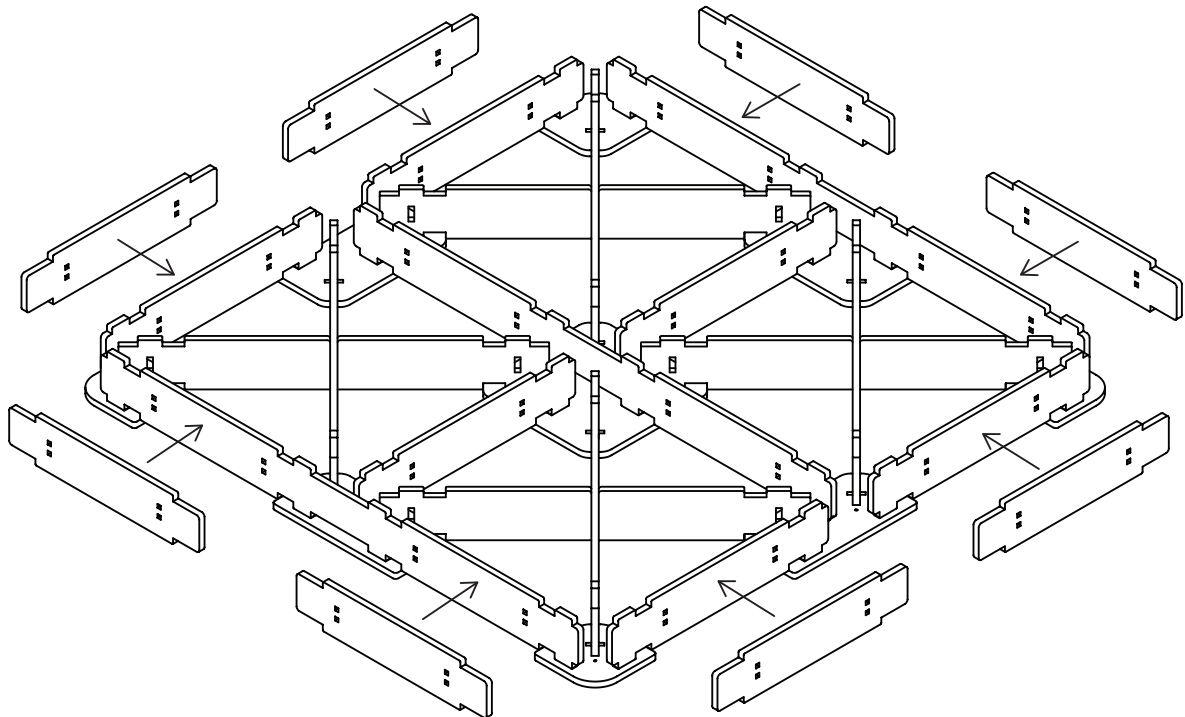
- 3.** Create an 'X' by slotting two parts together, and inserting and clicking into the notches of each square.

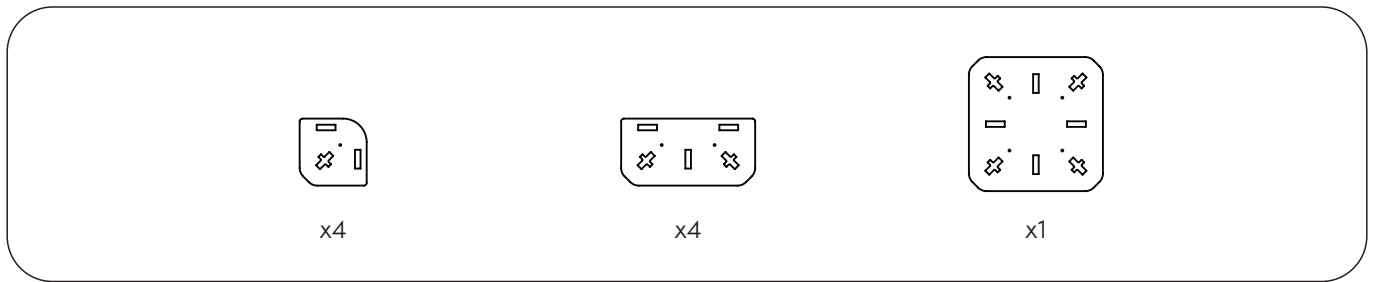




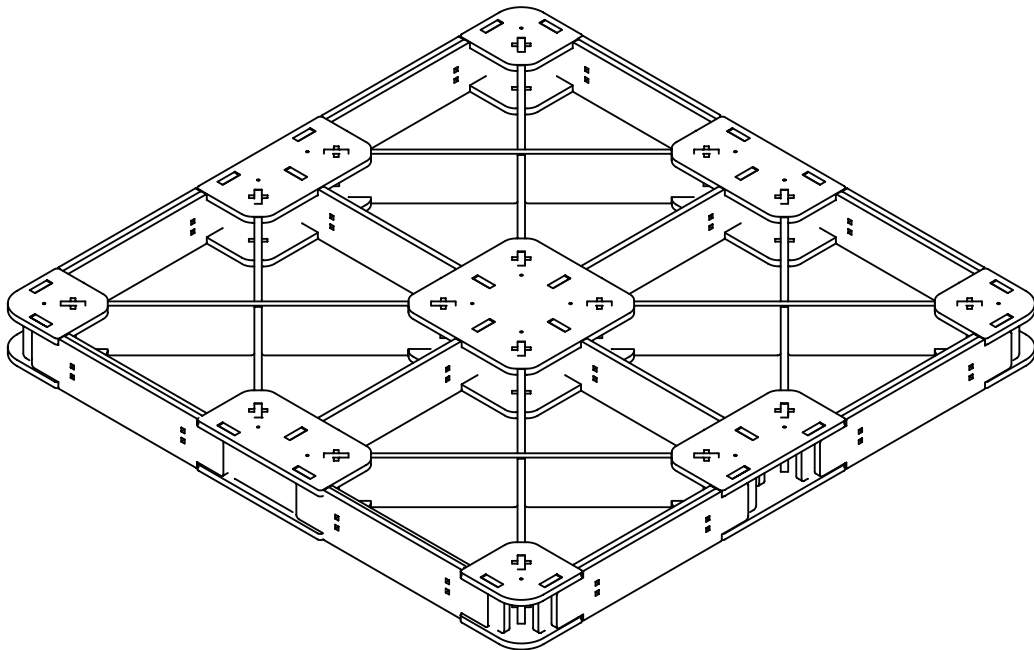
x8

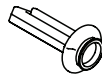
- 4.** Once all the bracing is in place, insert the parts around the edge of the bracing.





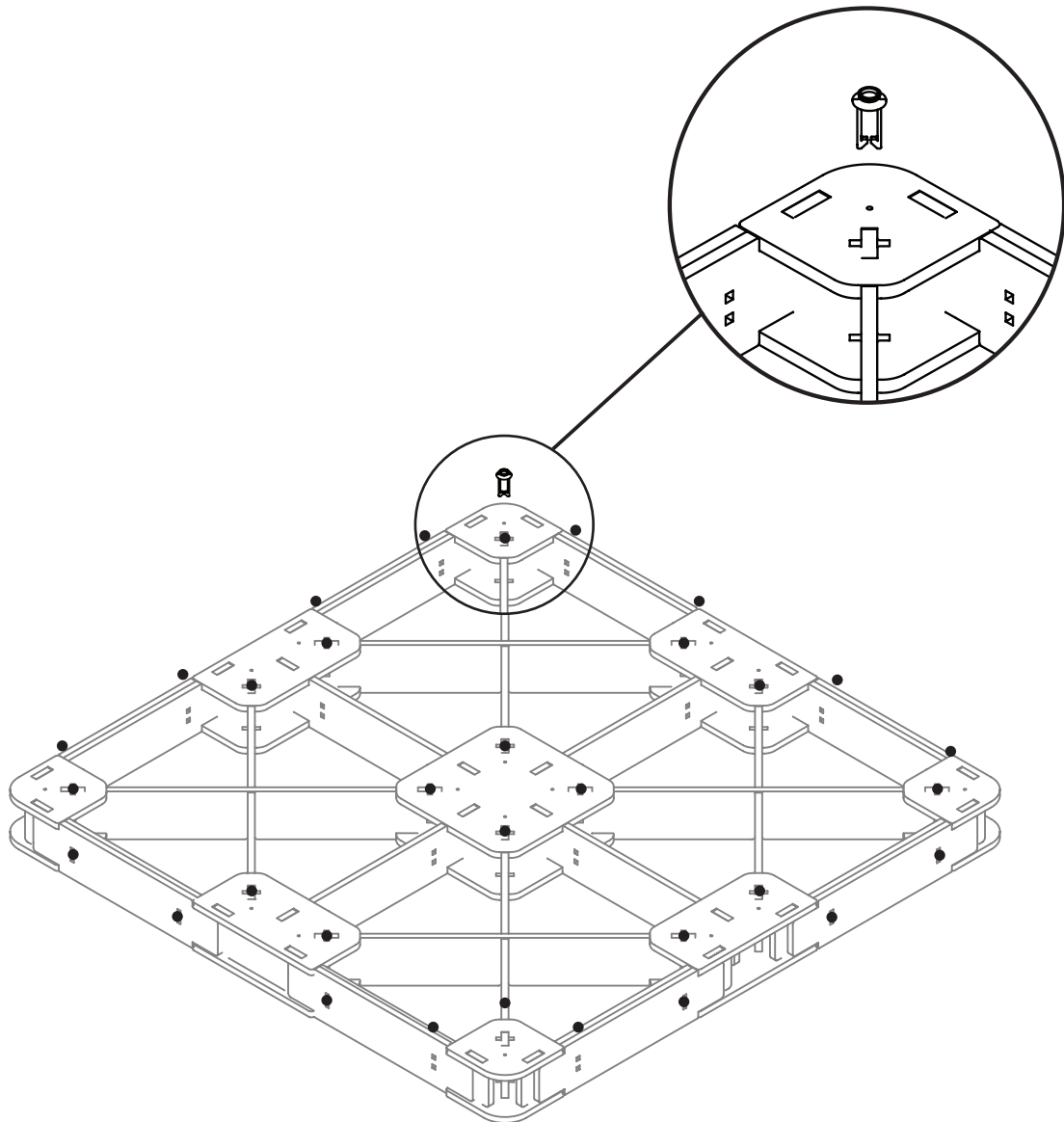
**5.** Repeat Step 1, applying the locking plates on top.



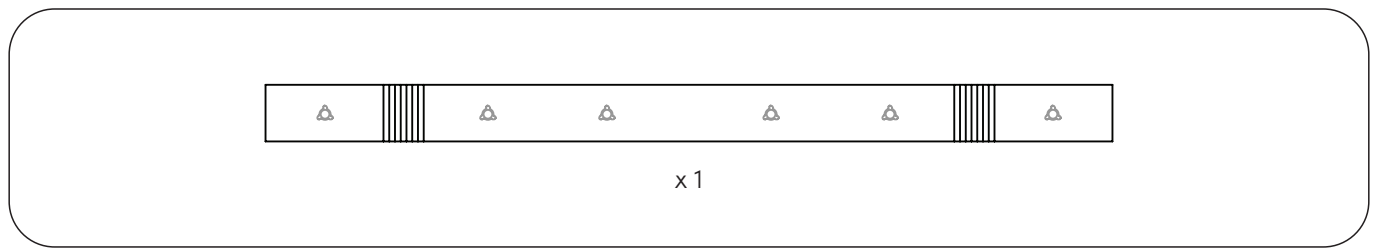


x48

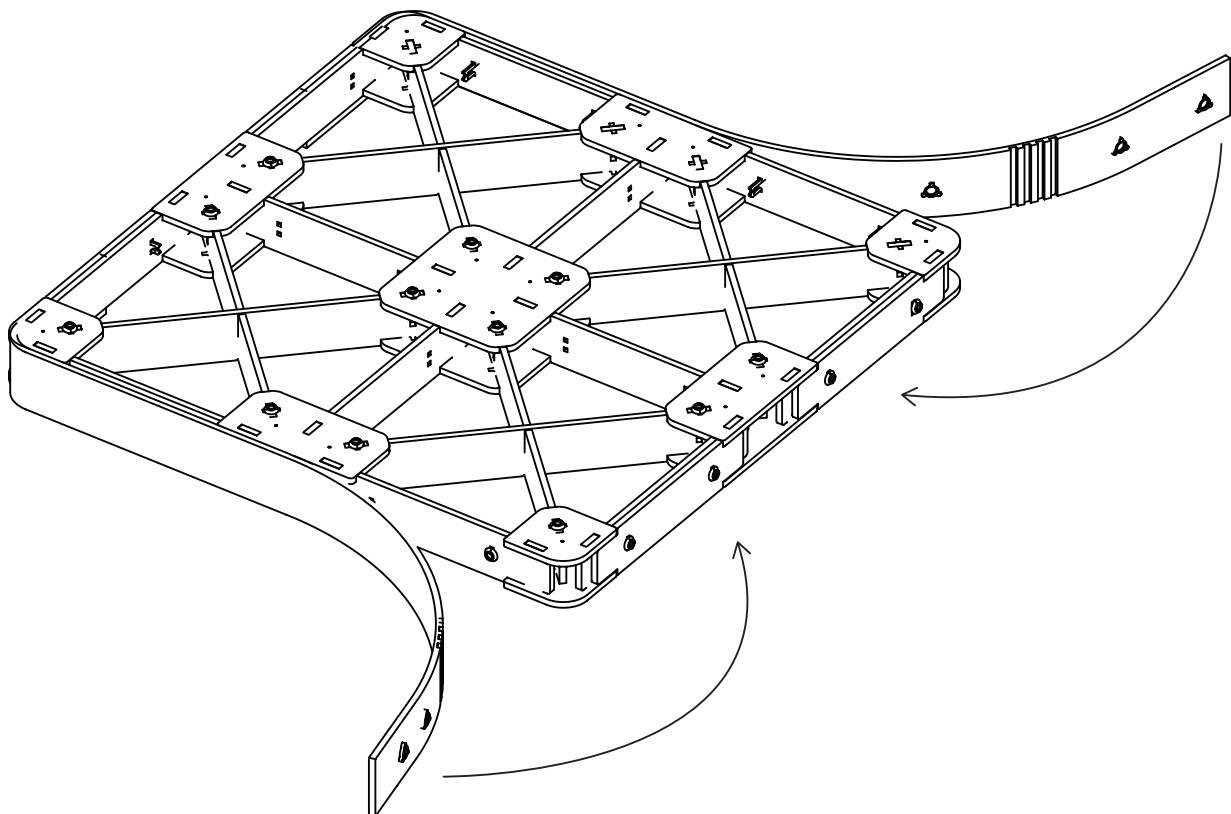
- 6.** Once the Frame is assembled, insert the lining clips into position. Ensure to clip both faces and all sides of the frame.

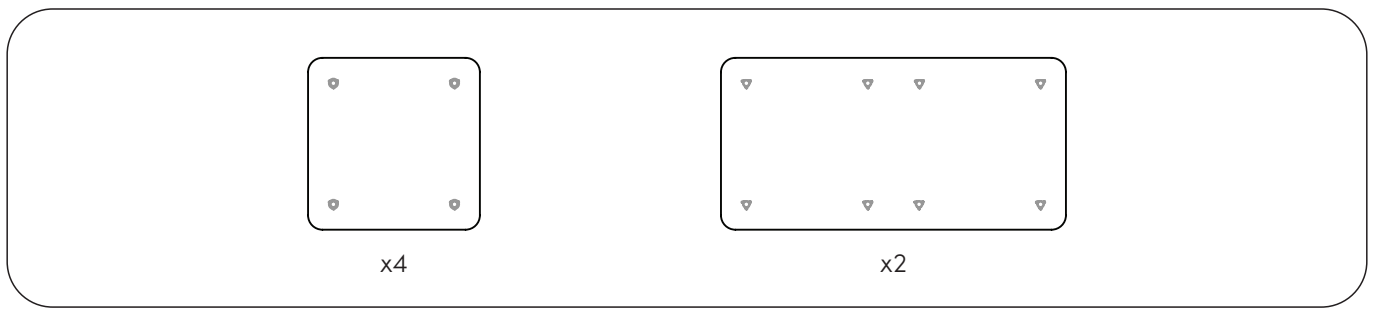






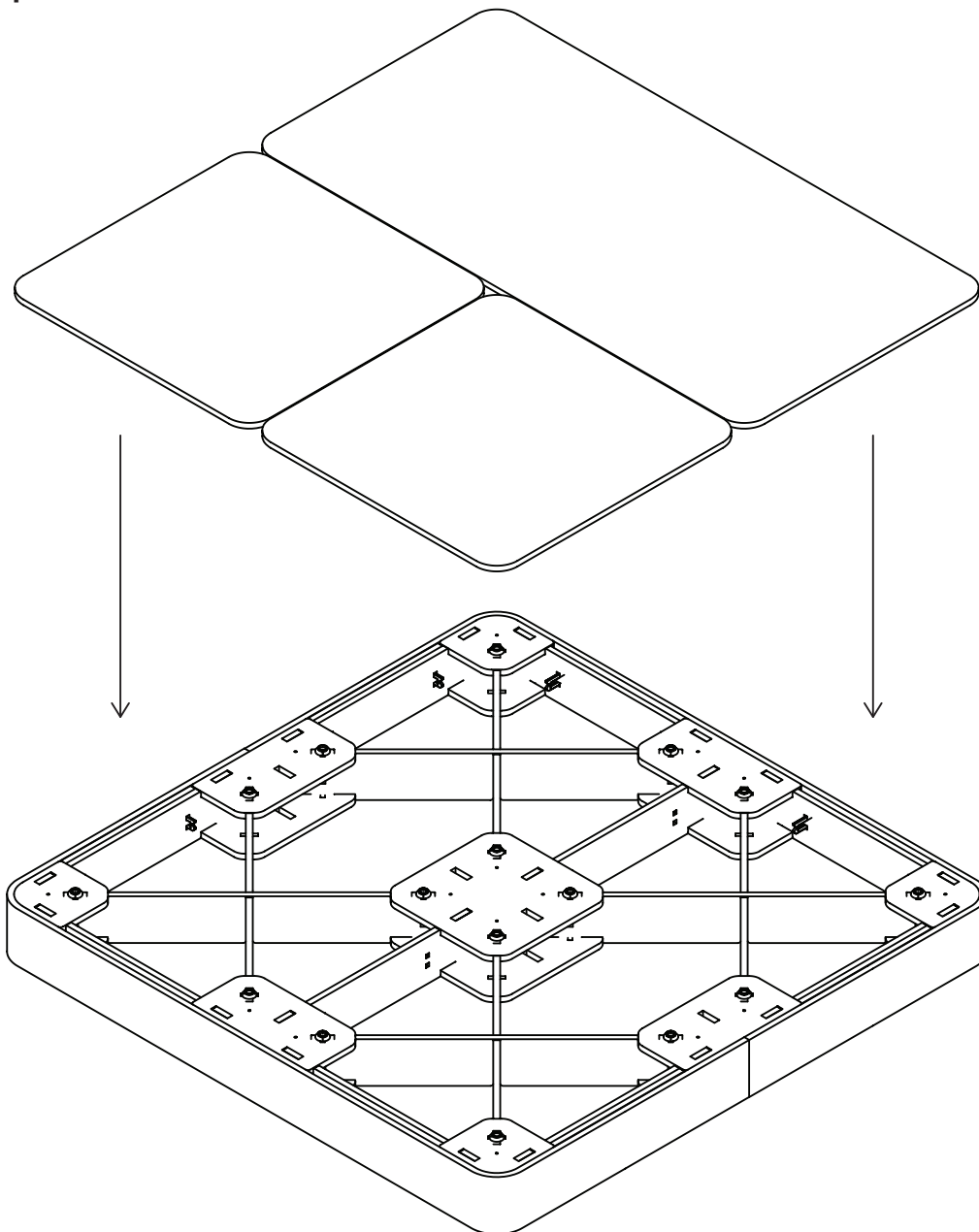
- 7.** Align and secure the Kurf edge linings with the corresponding clips on the side of the frame and wrap around the sides and corners. Ensure to press firmly.

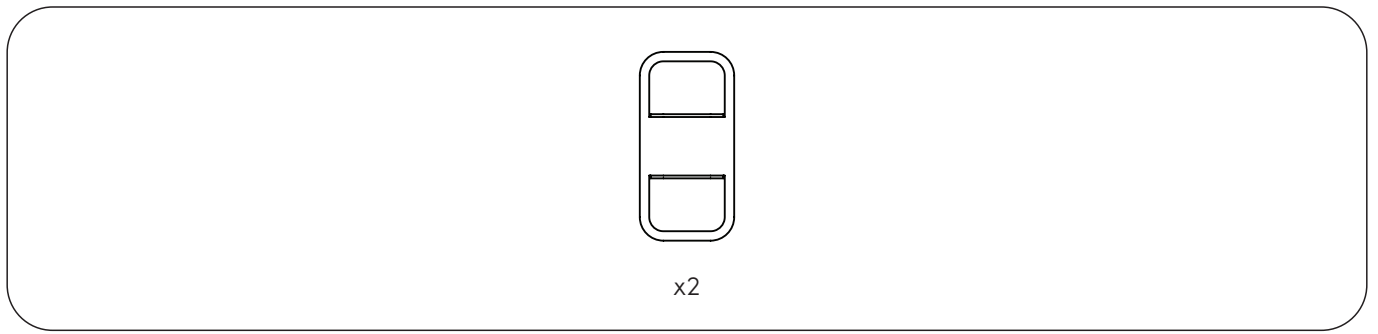




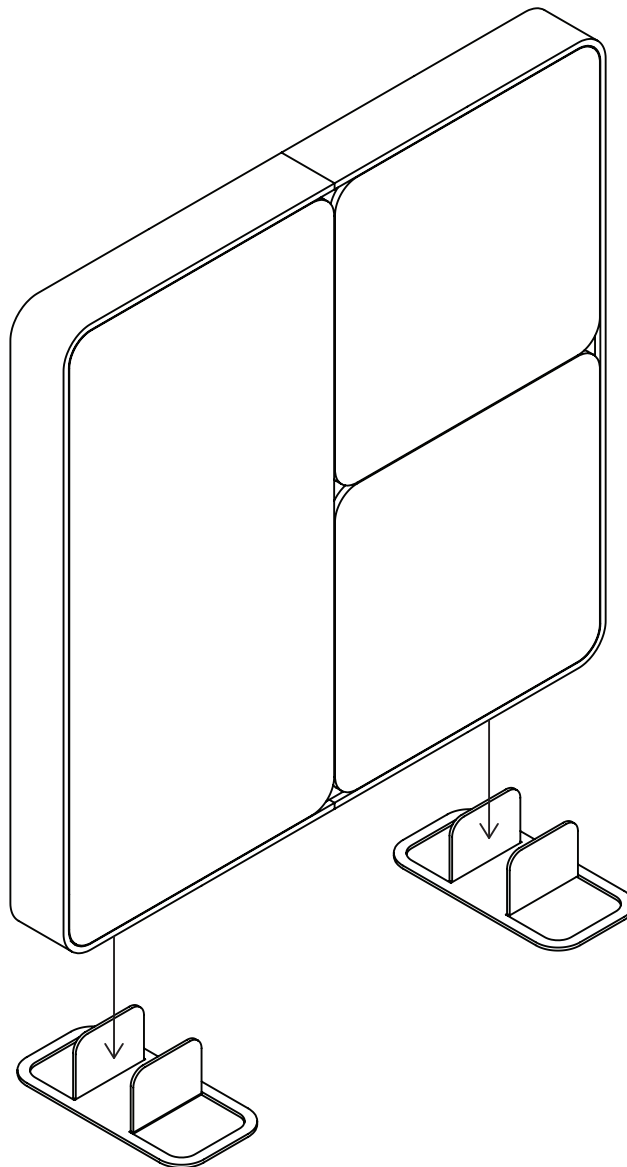
**8.** Press lining panels into the corresponding lining clips on the frame. Note the orientation of the lining parts are interchangeable.

**Repeat** on the other side.





- 9.** Lower the wall panel into the metal feet.



## Finished Assembled Product

